



Montecito Sanitary District

1042 Monte Cristo Lane
Santa Barbara, CA 93108

A Public Service Agency

Phone: (805) 969-4200
www.montsan.org

MONTECITO SANITARY DISTRICT

STAFF REPORT

DATE: November 22, 2022

TO: Board of Directors

FROM: Bradley Rahrer, General Manager

PREPARED BY: Bryce Swetek, Engineering Manager

SUBJECT: Potholing for Protect In Place Project

SUMMARY: Pothole the District's sewer facilities at North Jameson Lane and South Jameson Lane to assist determining if the facilities may be protected in place instead of relocated per the Highway 101 Sewer Crossing Relocation Project.

RECOMMENDATION: STAFF RECOMMENDS THAT THE BOARD:

1. Authorizing the General Manager to execute a purchase order with Sam Hill & Sons, Inc. in the lowest responsive bid amount of \$118,104 to pothole district facilities related to the Highway 101 Sewer Crossing Relocation Project;
2. Authorizing the General Manager to approve expenditures of up to \$11,811 (10%) as a change order allowance for any necessary changes in scope of work.

DISCUSSION:

Background – On October 13th, District Staff presented a staff report regarding the District's Highway 101 Sewer Crossing Relocation. The lowest responsive bidder was Raminha Construction with a bid of \$3,987,900. After receiving the bids, Staff evaluated the cost of the project and reached out to local agencies and consultants seeking if these bid prices were within reason compared to the scope of work. The results showed while these bid prices are high, it was reasonable given the current bidding market and some agencies are receiving bids two to three times engineering estimates. Furthermore, Staff reached out to Caltrans representatives to inform them of the bid results and inquire about the status of the bridge widening design. Caltrans representatives responded with an exhibit detailing the conflict (Attachment 1). Staff noticed the piles depicted in the letter from July 29, 2021 were no longer directly above the District's sewer facilities and inquired about the feasibility of protecting the district facilities. Staff met with Caltrans

representatives and it was determined the current conflict is in regard to constructability issues and standard design policies, but not actual design limitation. The Caltrans representatives have an ongoing discussion with the design and construction team to determine if the District facilities may be protected in place.

With a potential alternate path forward to protect the District’s facilities in place, Staff recommended to reject all bids and move forward with determining if protecting in place is a viable option. As part of determining if protecting in place is viable, Caltrans representatives have instructed the District to positively locate (pothole) the District’s 60-inch steel casing to determine the alignment, depth, and extent of the casing. If the District can confirm the casing does not conflict with the proposed bridge abutments, Caltrans may also require the District to line the pipelines within the casing to provide additional protection as a condition of approving this option.

District Staff understands even if the casing is where it needs to be for protecting in place, it is possible Caltrans representatives may still reject the option, primarily due to their own risks of cost and schedule. Therefore, Staff would like to have the option to pothole the Lumen and AT&T line located within the proposed jacking pit per the Highway 101 Sewer Crossing Relocation Project. Locating this line would remove a significant risk to Contractors (not to mention the District) and potentially decrease the cost of the relocation project, should the District have to move forward with it.

An exhibit detailing the locations of the work is provided as Attachment 2.

Bidding Process and Results –

District staff issued a request for bids on November 4, 2022. There were 6 prospective bidders registered for the project. An Addendum was issued on November 14, 2022, refining the scope of work and attaching the draft traffic control plans. The District ultimately received two bids from local companies for the project. The bids received range as follows:

	Bidder	Bid Amount	Bid Status
1	Sam Hill & Sons, Inc.	\$118,104.00	Lowest Responsive Bidder
2	Tierra Contracting	\$150,040.00	Non Responsive due to schedule

Fiscal Impact – This project was not included in the Fiscal Year 2022-23 Capital Improvement Project budget and the bid results exceeded Staff’s estimate by a moderate margin. Staff understands these potholes are more complex than a typical pothole. These complexities along with the current bidding environment, likely contributed to the cost differential. The following list depicts some of the project challenges which include:

- Permitting from Caltrans and County of Santa Barbara.

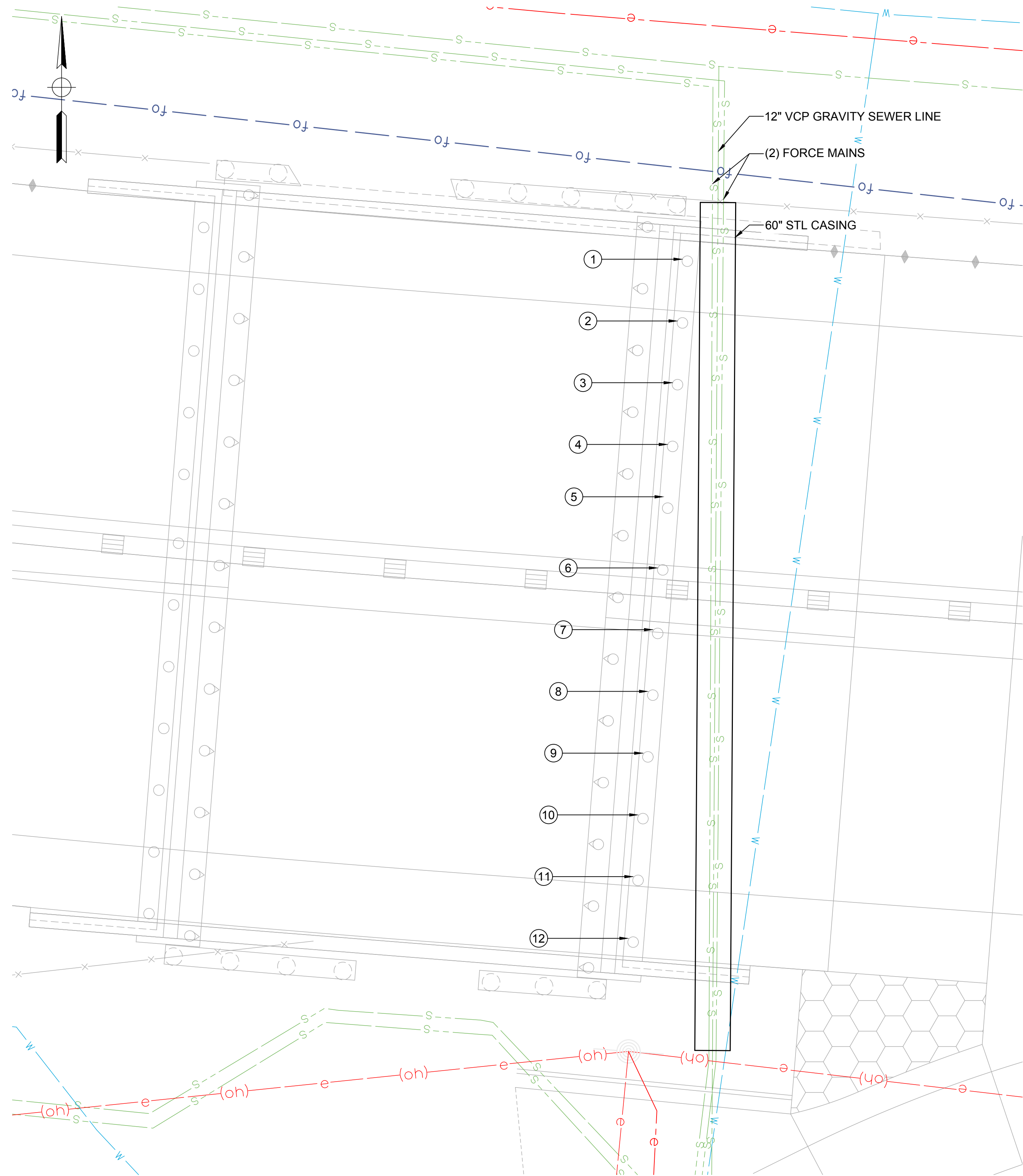
- Traffic control.
- Anticipated pothole depths.
- Potential dewatering.
- Temporary removal and replacement of guard rail.
- Strict schedule.
- Potential County allowable working hours restrictions, based on traffic concerns in these high traffic areas and residential noise.

Analysis – Justifications – The low bid of \$118,104.00 submitted by Sam Hill & Sons is an acceptable bid that is responsive to and meets the requirements of the bid specifications. District Staff notes Tierra’s bid was the lowest for the two mandatory potholes and offered to potentially lower the optional pothole cost, however, their bid was considered non responsive due to the fact they could not finish and submit all deliverables of the work by December 9, 2022, as clearly stated on our Request for Quote (Bid). District Staff will continue ongoing communications with the County of Santa Barbara and Caltrans to receive approved encroachment permits ideally no later than the end of November (11/30/2022). The change order funding recommendation of \$11,811, or 10%, is typical for this type of work and size of project.

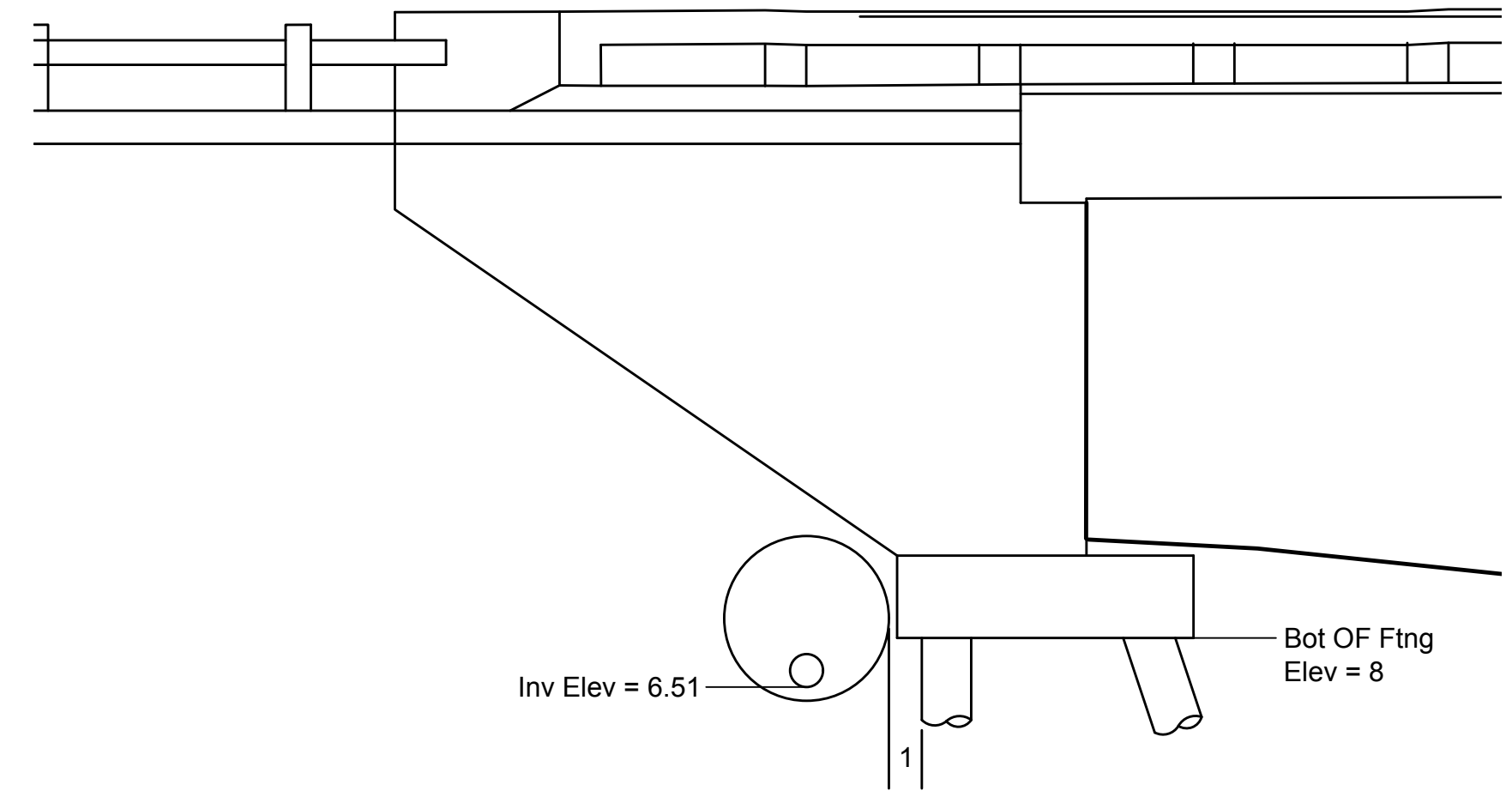
DEPARTMENTS INVOLVED: Engineering and Collections

ATTACHMENTS:

1. Caltrans Representative’s Conflict Exhibit
2. Pothole Exhibit



MSD CROSSING v ABUTMENT PILES			
ABUTMENT PILE No.	Dist TO CASING	SEWER Inv Elev	STAGE
1	1	6.51	NORTHBOUND LANES
2	1.7	6.40	
3	2.3	6.30	
4	2.9	6.19	
5	3.5	6.10	
6	4.2	5.97	
7	4.8	5.87	SOUTHBOUND LANES
8	5.5	5.76	
9	6.1	5.65	
10	6.8	5.54	
11	7.4	5.43	
12	8	5.33	



CROSS SECTION AT PILE #1

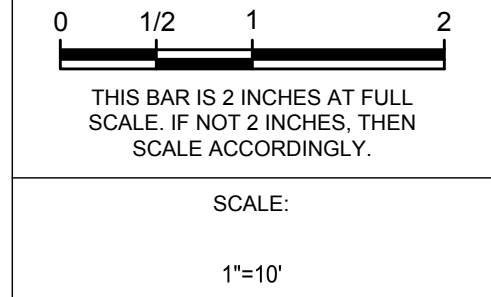


REV	DATE	BY	DESCRIPTION



DESIGNED:
 DRAWN:
 CHECKED:
 QA/QC:
 CONSTRUCTABILITY:

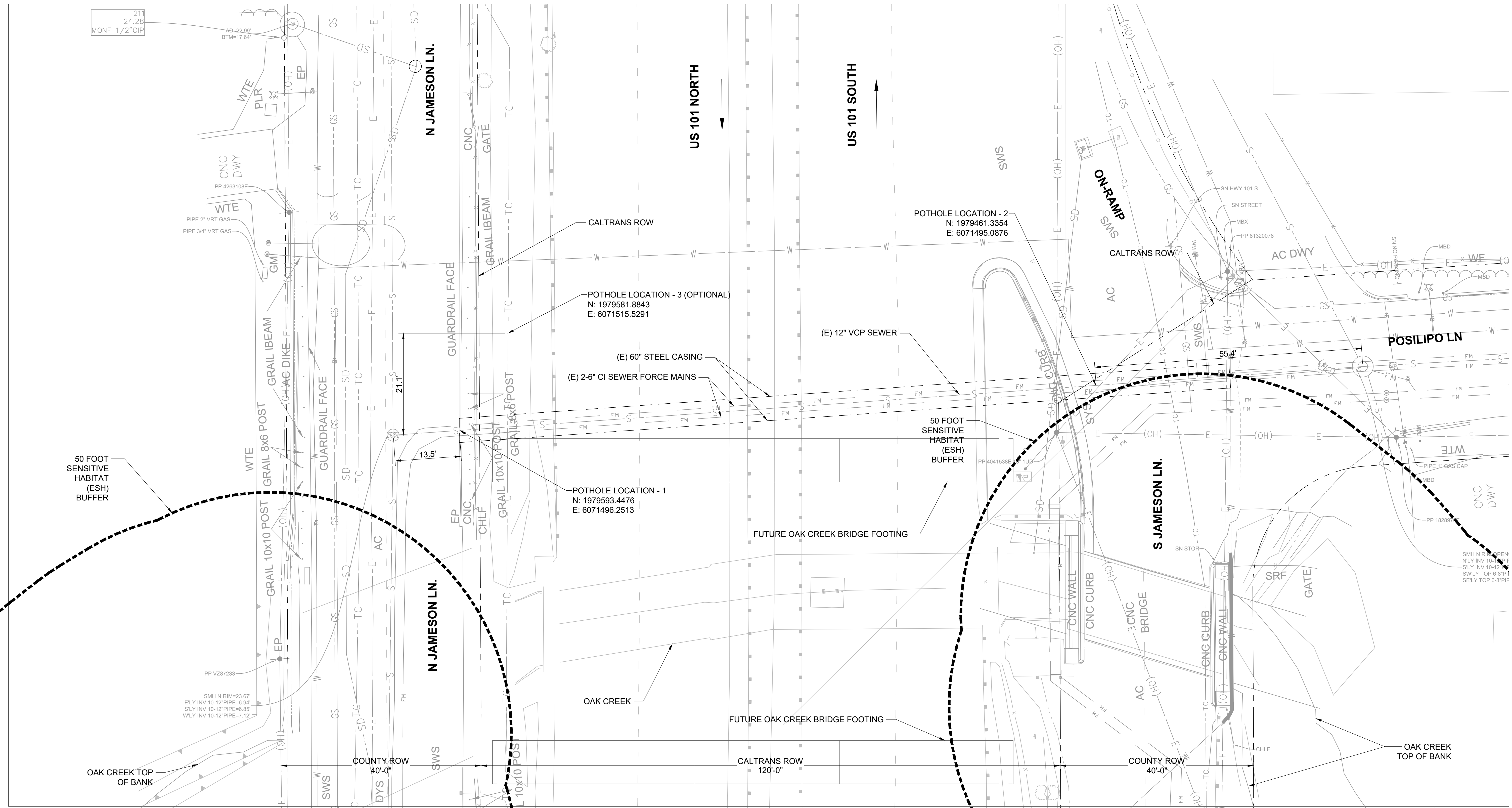
PROJECT ENGINEER: _____ DATE _____
 R.C.E. EXP.



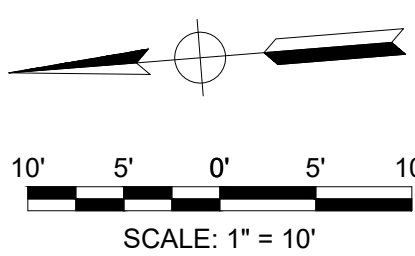
Rte 101 HOV AND REHABILITATION PROJECT

12" SEWER CROSSING NEAR OAK CREEK

PROJECT NUMBER
SEG 4DS
 DRAWING NUMBER
EXHIBIT
 SHEET NUMBER
1 OF **1**



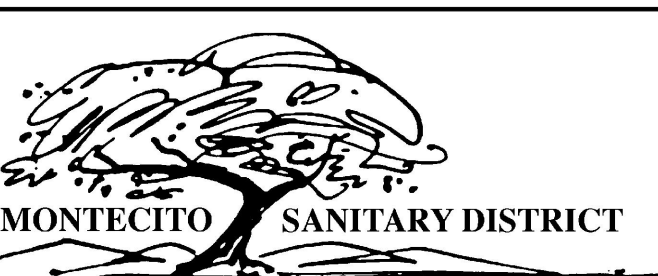
SITE PLAN



DESIGN	SCALE:
DRAWN	VERT.
CHECKED	HOR.
BID NO.	
PAGE	
ATLAS	

WARNING
 0 1/2 1
 IF THIS BAR DOES NOT MEASURE 1" THEN DRAWING IS NOT TO SCALE

REVISIONS			
NO.	DESCRIPTION	DATE	APPROVED THN



MONTECITO SANITARY DISTRICT
 1042 Monte Cristo Lane Santa Barbara, CA 93108
 Approved: _____ Date _____, 20____
 General Manager

HIGHWAY 101 SEWER CROSSING RELOCATION PROJECT
POTHOLE EXHIBIT
 MONTECITO SANITARY DISTRICT

PROJ. NO.	_____
DWG. NO.	_____
SHT. OF SHTS.	_____